

# PRINCIPAL PARTICULARS

LENGTH: 7.5m  
 BEAM: 2.45m  
 DRAFT: 0.35m (HULL)  
 DISPL: 2800kg (ON DWL)  
 ENG: 2x 100-175HP  
 FUEL: 2x 200L  
 WATER: 100L

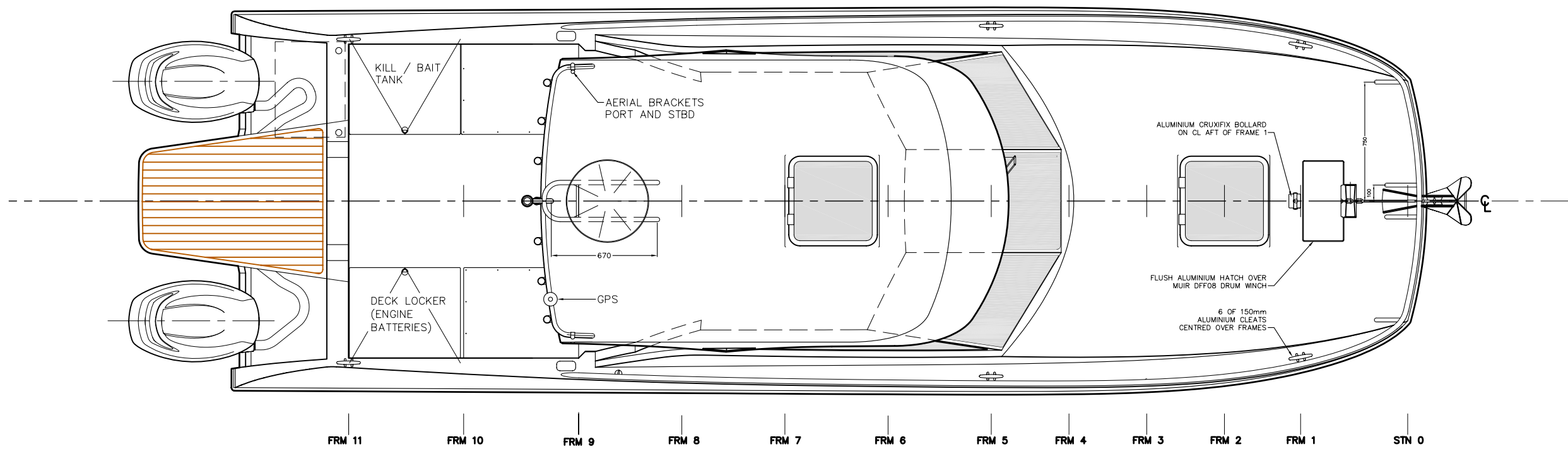
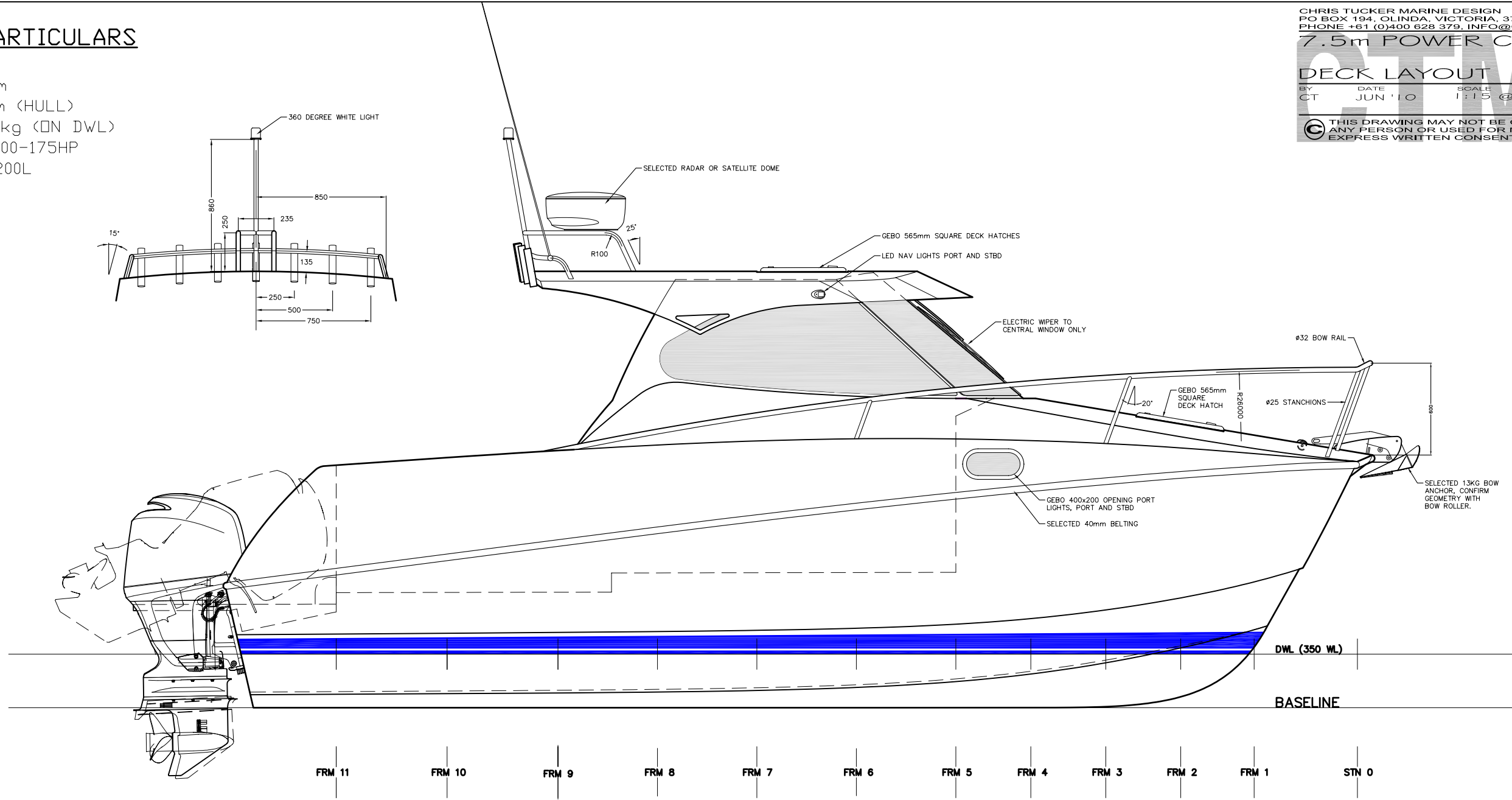
CHRIS TUCKER MARINE DESIGN  
 PO BOX 194, OLINDA, VICTORIA, 3788, AUSTRALIA  
 PHONE +61 (0)400 628 379, INFO@CTMD.COM.AU

## 7.5m POWER CAT

### DECK LAYOUT

BY CT DATE JUN '10 SCALE 1:15 @ A1 DRWG 80-04

THIS DRAWING MAY NOT BE COPIED, COMMUNICATED TO ANY PERSON OR USED FOR MANUFACTURE WITHOUT THE EXPRESS WRITTEN CONSENT OF THE DESIGNER.



**BATHROOM BULKHEAD/LINER LAMINATE SCHEDULE**  
 BASED A FEMALE MOULD USING RESIN INFUSED VINYLESTER RESIN CONSTRUCTION

| LAYER                          | STYLE    | DESCRIPTION                      | WEIGHT   | THICKNESS | LOCATION                           |
|--------------------------------|----------|----------------------------------|----------|-----------|------------------------------------|
| INSIDE SKIN - TO MOULD SURFACE |          |                                  |          |           |                                    |
| 1A                             | GELCOAT  |                                  |          |           |                                    |
| 1B                             | 1xCFM300 | E- GLASS CONTINUOUS FILAMENT MAT | 300g/5qm | 0.37 mm   | WHOLE PART                         |
| 1C                             | 1xEDB820 | E- GLASS DOUBLE BIAX.            | 820g/5qm | 0.70 mm   | WHOLE PART                         |
| CORE                           |          |                                  |          |           |                                    |
| 2A                             | CORE     | HEREX C70-75 - 12mm              |          | 12 mm     | BEDROOM PARTITION<br>VAINYTY FRONT |
| 2B                             | CORE     | COREMATT                         |          | 3 mm      | SUPPORTED FLATS                    |
| OUTSIDE SKIN                   |          |                                  |          |           |                                    |
| 3A                             | 1xCFM600 | E- GLASS CONTINUOUS FILAMENT MAT | 600g/5qm | 0.73 mm   | CORNERS                            |
| 3B                             | 1xEDB820 | E- GLASS DOUBLE BIAX.            | 820g/5qm | 0.70 mm   | WHOLE PART                         |

CHRIS TUCKER MARINE DESIGN  
 PO BOX 194, OLINDA, VICTORIA, 3788, AUSTRALIA  
 PHONE +61 (0)40 628 379, INFO@CTMD.COM.AU

**7.5m POWER CAT**

**GENERAL ARRANGEMENT**

BY CT DATE JUN '10 SCALE 1:10 @ A1 DRWG 80-03 SHEET 2 OF 2

THIS DRAWING MAY NOT BE COPIED, COMMUNICATED TO ANY PERSON OR USED FOR MANUFACTURE WITHOUT THE EXPRESS WRITTEN CONSENT OF THE DESIGNER.

