

ITEM	DESCRIPTION	BLA#	REQUIRED
1.	LEWMAR 10 KG DELTA ANCHOR	NA	1
2.	QUICK "ASTER 700" WINCH	153342	1
3.	ALLOY CROSS BOLLARD	192145	1
4.	NYLON (OR SIMILAR) CHAFE STRIP	CUSTOM	1
5.	BOMAR FIXED PORTLIGHT	171530	3
6.	NYLON ANCHOR ROPE AND CHAIN	145982	1
7.	BOMAR 2000 DECK HATCH	170888	1
8.	BOMAR 2000 SMALL DECK HATCH	170872	3
9.	HORN CLEATS	192225	6
10.	DECK FILLERS	192322	2
11.	LED NAV LIGHTS	121032	1
12.	ALL ROUND MAST HEAD LIGHT	121154	1
13.	ACCESS HATCHES	173250	6
14.	RAYMARINE 18" RAYDOME	NA	1

CHRIS TUCKER MARINE DESIGN
 PO BOX 194, OLINDA, VICTORIA, 3788, AUSTRALIA
 PHONE +61 (0)400 628 379, INFO@CTMD.COM.AU

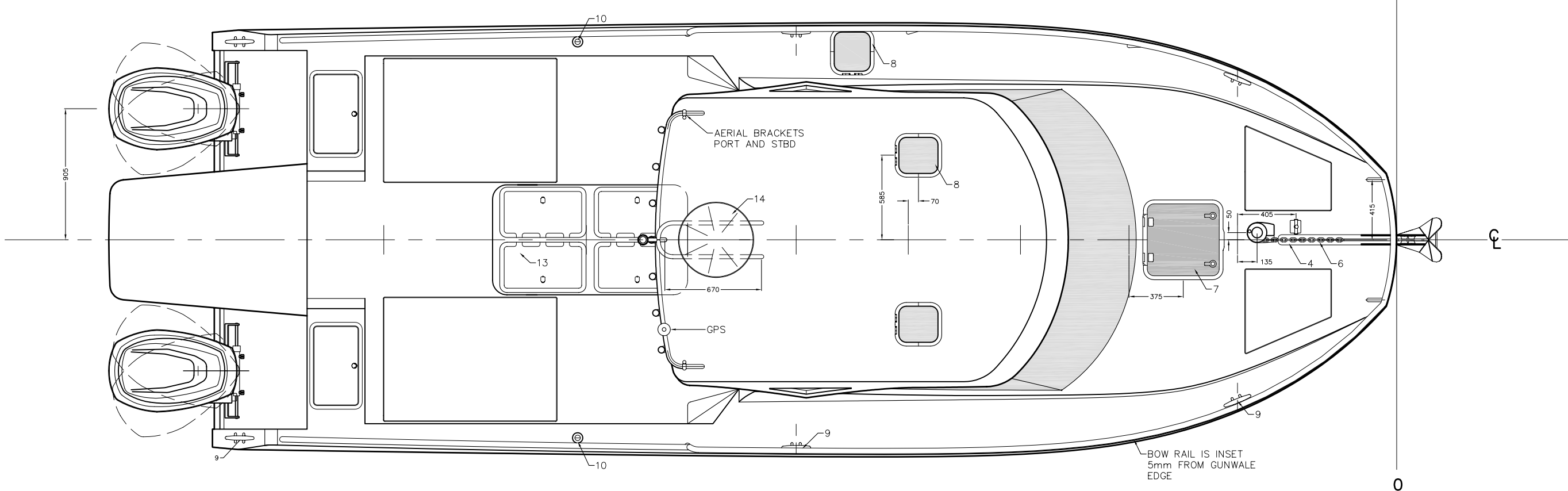
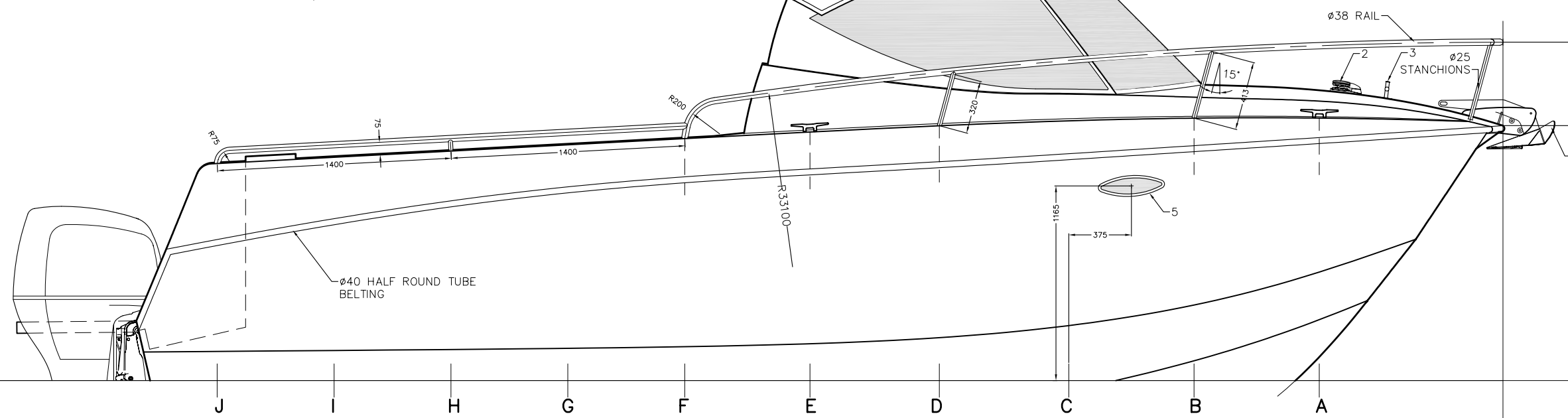
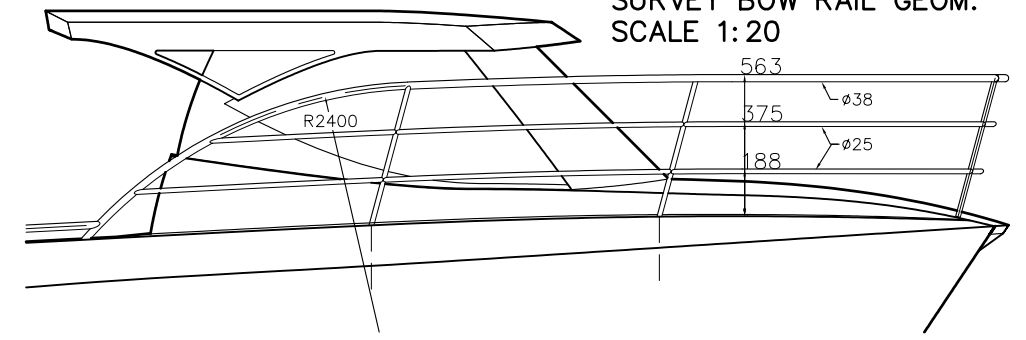
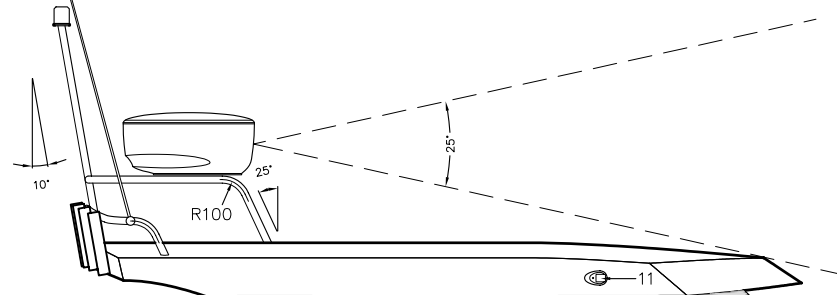
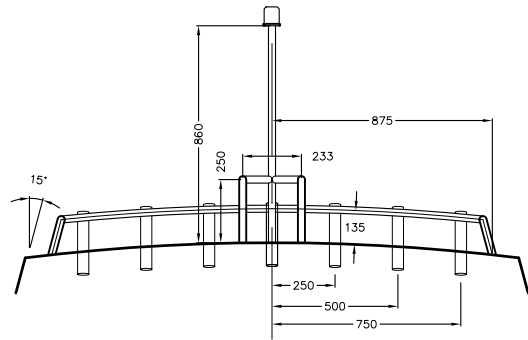
8.2m POWER CAT

DECK LAYOUT

BY CT DATE DEC '08 SCALE 1:15 @ A1 DRWG 38-4

THIS DRAWING MAY NOT BE COPIED, COMMUNICATED TO ANY PERSON OR USED FOR MANUFACTURE WITHOUT THE EXPRESS WRITTEN CONSENT OF THE DESIGNER.

SURVEY BOW RAIL GEOM.
 SCALE 1:20



8.2m POWER CAT

GENERAL ARRANGEMENT

BY CT DATE DEC '08 SCALE 1:15 @ A1 DRWG 38-3 SHEET 1 OF 2

© THIS DRAWING MAY NOT BE COPIED, COMMUNICATED TO ANY PERSON OR USED FOR MANUFACTURE WITHOUT THE EXPRESS WRITTEN CONSENT OF THE DESIGNER.

