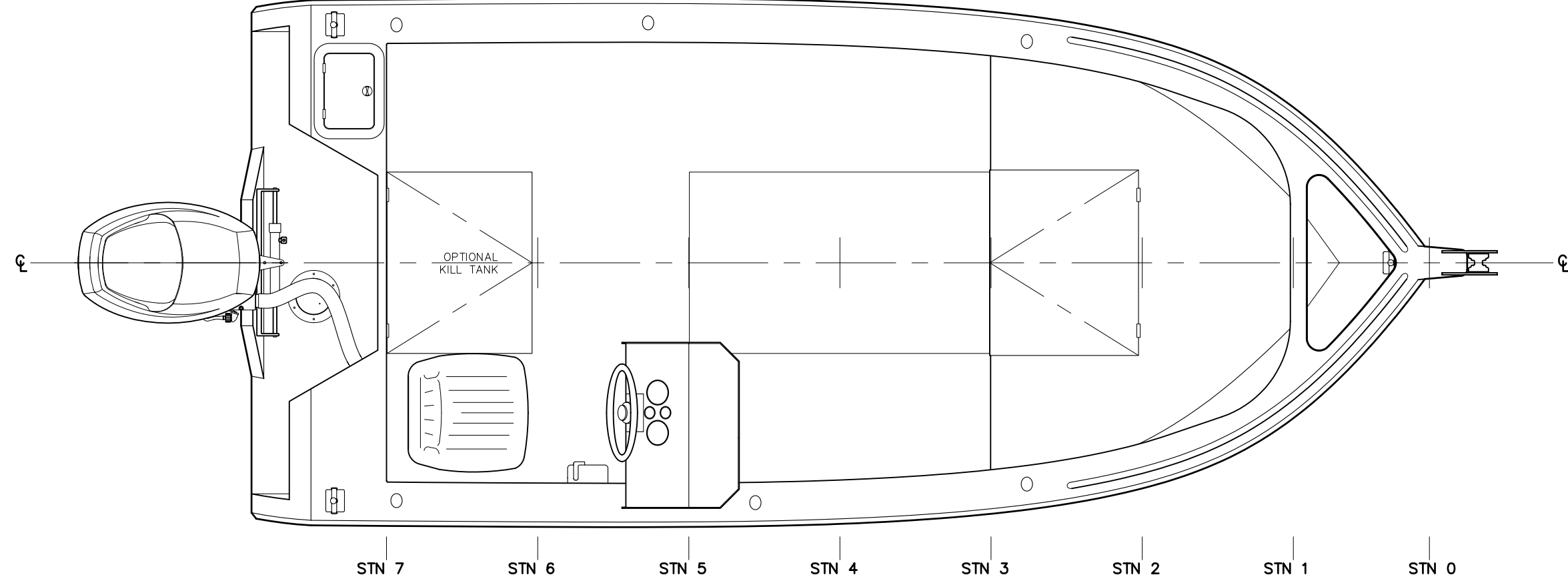
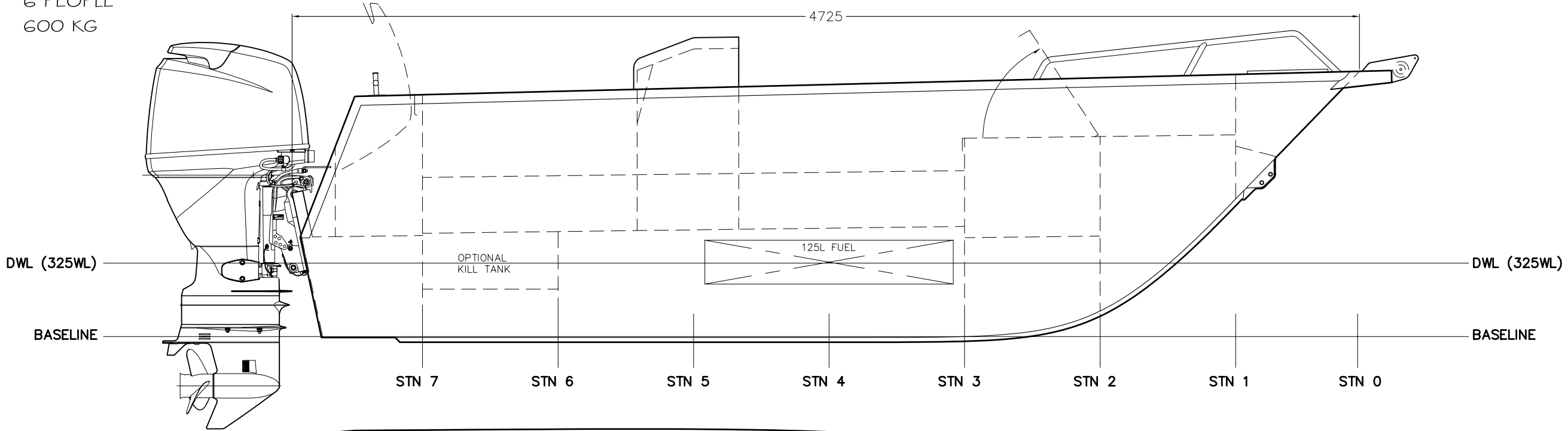


**PRINCIPAL PARTICULARS**

LOA: 4.8m  
 BEAM: 2.1m (WITH BELTINGS)  
 DRAFT: 0.325m (HULL)  
 DISPL: 1120kg (ON DWL)  
 WEIGHT: 690kg  
 TANKAGE: 175  
 ENGINE: 90 HP  
 CAPACITY: 6 PEOPLE  
 600 KG



CHRIS TUCKER MARINE DESIGN PTY LTD.  
 PO BOX 194, OLINDA, VICTORIA, 3788, AUSTRALIA  
 PHONE +61 (0)3 9728 1754, INFO@CTMD.COM.AU

**4.8m SIDE CONSOLE**

**GENERAL ARRANGEMENT**

BY DATE SCALE DRWG  
 CT MAR'11 1:10 @ A1 97-1B

© THIS DRAWING MAY NOT BE COPIED, COMMUNICATED TO ANY PERSON OR USED FOR MANUFACTURE WITHOUT THE EXPRESS WRITTEN CONSENT OF THE DESIGNER.