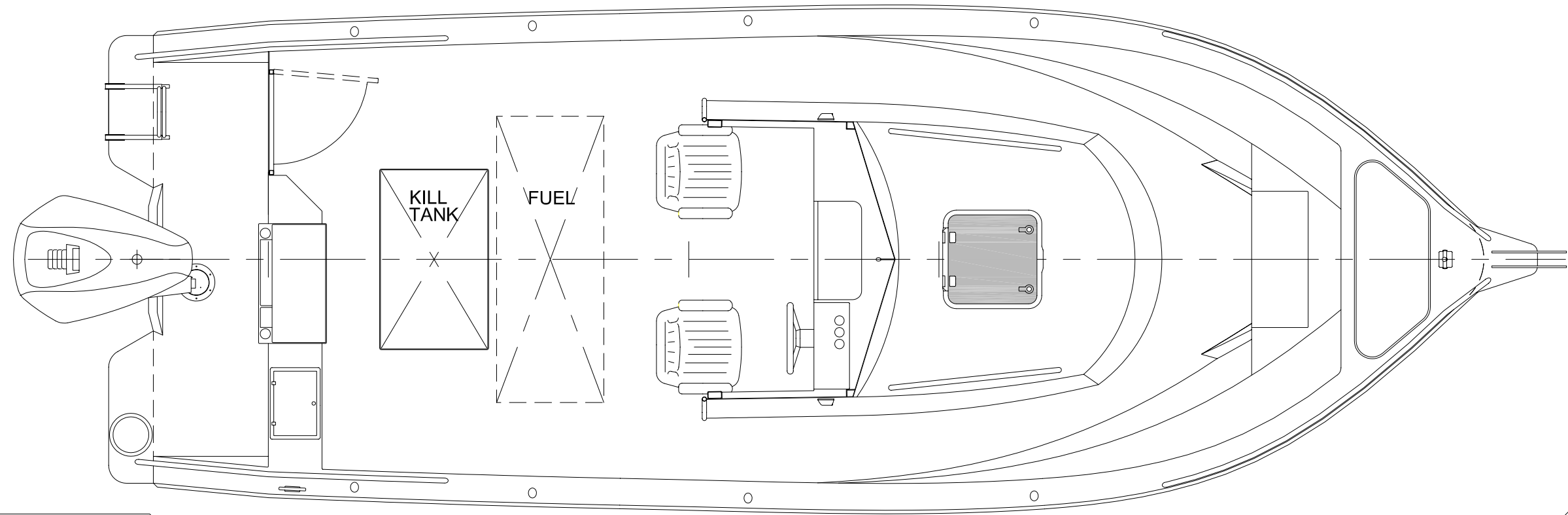
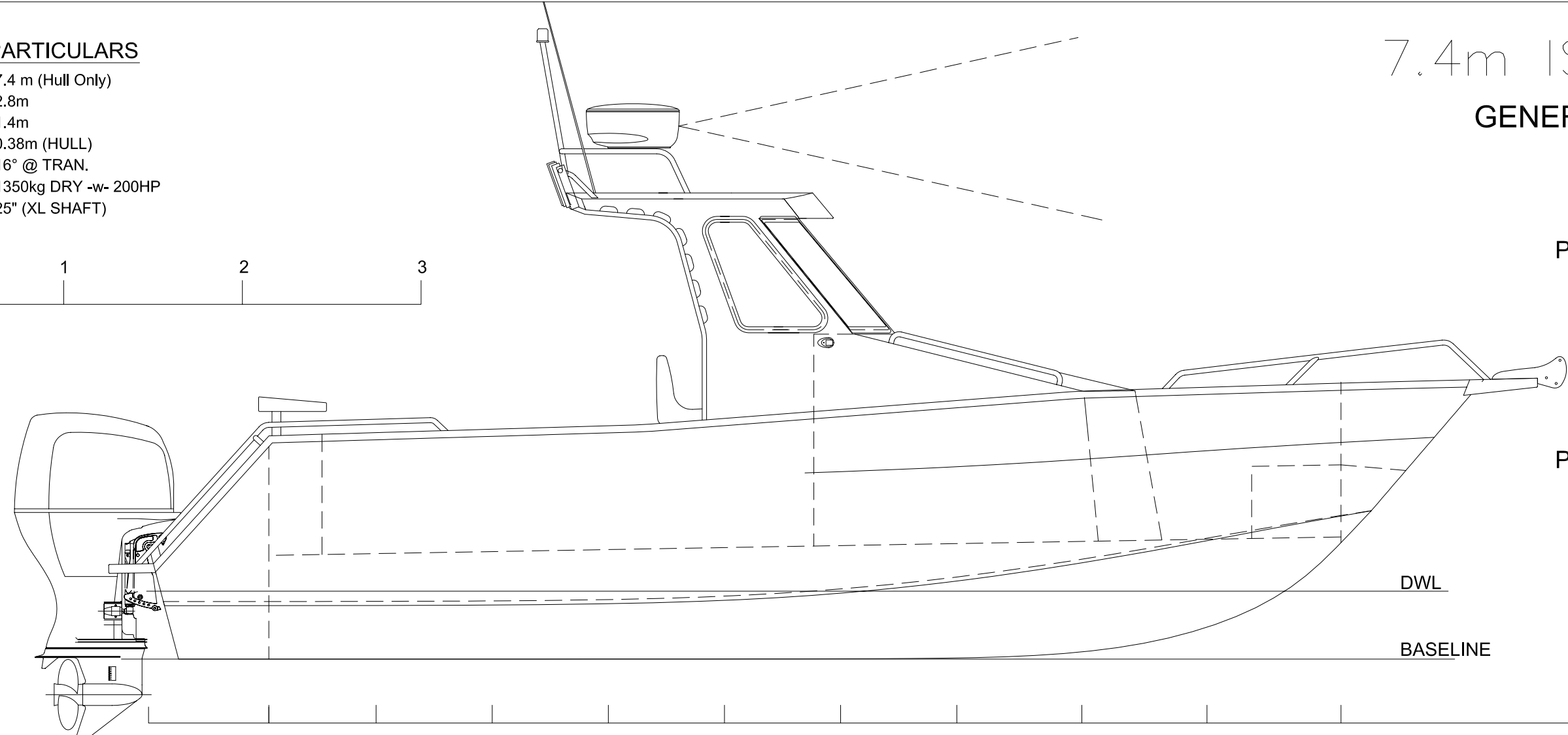


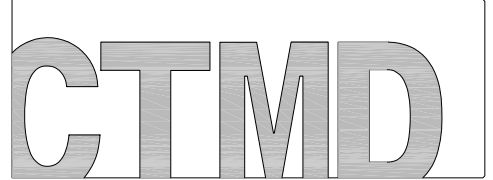
**PRINCIPAL PARTICULARS**

LOH: 7.4 m (Hull Only)  
BEAM: 2.8m  
DEPTH: 1.4m  
DRAFT: 0.38m (HULL)  
D/RISE: 16° @ TRAN.  
DISPL: 1350kg DRY -w- 200HP  
ENG: 25" (XL SHAFT)

7.4m ISLAND CAB  
**GENERAL ARRANGEMENT**



www.platealloy.com



**Kit Notes: Bimini / Launcher, Ladder and Fuel Tank not included in Flat Pack Kit**

This drawing is the property of Plate Alloy Australia - 12-14 Elma Road, Cheltenham, Victoria, 3192, Australia. - Phone: (+613) 9555 6399 Fax: (+613) 9555 6499

