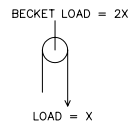


CAPACITY TABLE

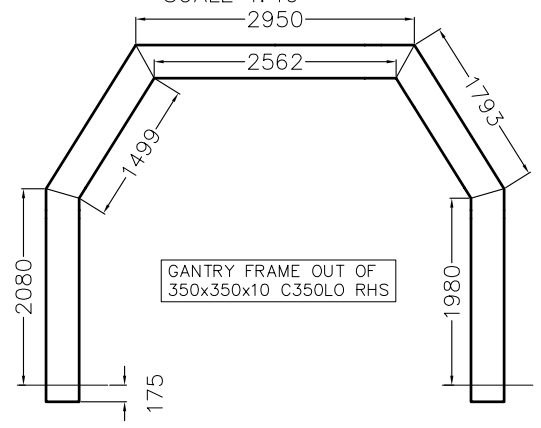
OVERHAND HOIST	10 000kg
CENTERLINE BECKET*	5 000kg
SIDE BECKETS*	2 500kg
COMBINATION LOADS	10 000kg

*NOTE. BECKET LOADS ARE BASED ON TOTAL LOAD TO BECKET. WHEN USING A TURNING BLOCK AT THESE POINTS ALLOWABLE LOAD IS HALVED.



GANTRY GEOMETRY

SCALE 1:40



DESIGN STANDARDS

AS 1418 CRANES, HOISTS AND WINCHES
AS 4100 STEEL STRUCTURES

THE OPERATORS ATTENTION IS ALSO DRAWN AS 2550 CRANES, HOISTS AND WINCHES - SAFE USE.

CHRIS TUCKER MARINE DESIGN
PO BOX 194, OLINDA, VICTORIA, 3788, AUSTRALIA
PHONE +61 (0)400 628 379, INFO@CTMD.COM.AU

A FRAME HOIST

HOIST GEOMETRY

BY	DATE	SCALE	DRWG
CT	NOV '09	1:15 @ A1	67-1
			ISSUE 3

THIS DRAWING MAY NOT BE COPIED, COMMUNICATED TO ANY PERSON OR USED FOR MANUFACTURE WITHOUT THE EXPRESS WRITTEN CONSENT OF THE DESIGNER.

ISSUE	DATE	CHANGES
1	10-11-09	FIRST ISSUE
2	20-11-09	FONT SIZE INCREASED
3	10-10-10	NOTE RE. STANDARDS ADDED

